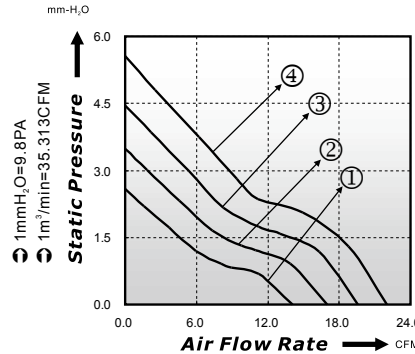


60x60x20mm

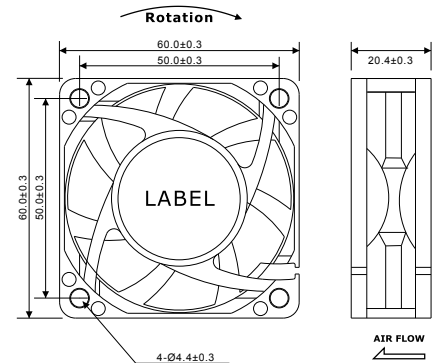


■ P-Q Curve (At Rated Voltage)



■ Dimensions Drawing

Unit: (mm)



Model No	Bearing (*)	Rated Voltage (VDC)	Rated Current (A)	Power Consumption (Watts)	Speed (rpm)	Air Flow (CFM)	Static Pressure (mmH ₂ O)	Noise (dBA)	Curve
ED06020-12L*	○ ● ⊖	12	0.09	1.08	3000	14.08	2.58	25.1	1
ED06020-12M*	○ ● ⊖	12	0.11	1.32	3500	16.99	3.48	29.0	2
ED06020-12H*	○ ● ⊖	12	0.14	1.68	4000	19.55	4.46	32.2	3
ED06020-12HH*	○ ● ⊖	12	0.20	2.40	4500	22.02	5.56	35.7	4
ED06020-24L*	○ ● ⊖	24	0.05	1.20	3000	14.08	2.58	25.1	1
ED06020-24M*	○ ● ⊖	24	0.08	1.92	3500	16.99	3.48	29.0	2
ED06020-24H*	○ ● ⊖	24	0.12	2.88	4000	19.55	4.46	32.2	3
ED06020-24HH*	○ ● ⊖	24	0.13	3.12	4500	22.02	5.56	35.7	4

* Bearing Type: ○ Sleeve ● Two Ball ⊖ Hydro-Dynamic